

CHANDLER

SIDE DISCHARGE AUGER TENDERS TRUCK OR TRAILER MOUNTED



Multi-hopper

Fertilizer Auger

Tenders

Hydraulically

Operated

Construction:

Mild Steel

409 Stainless Steel

or

304 Stainless Steel



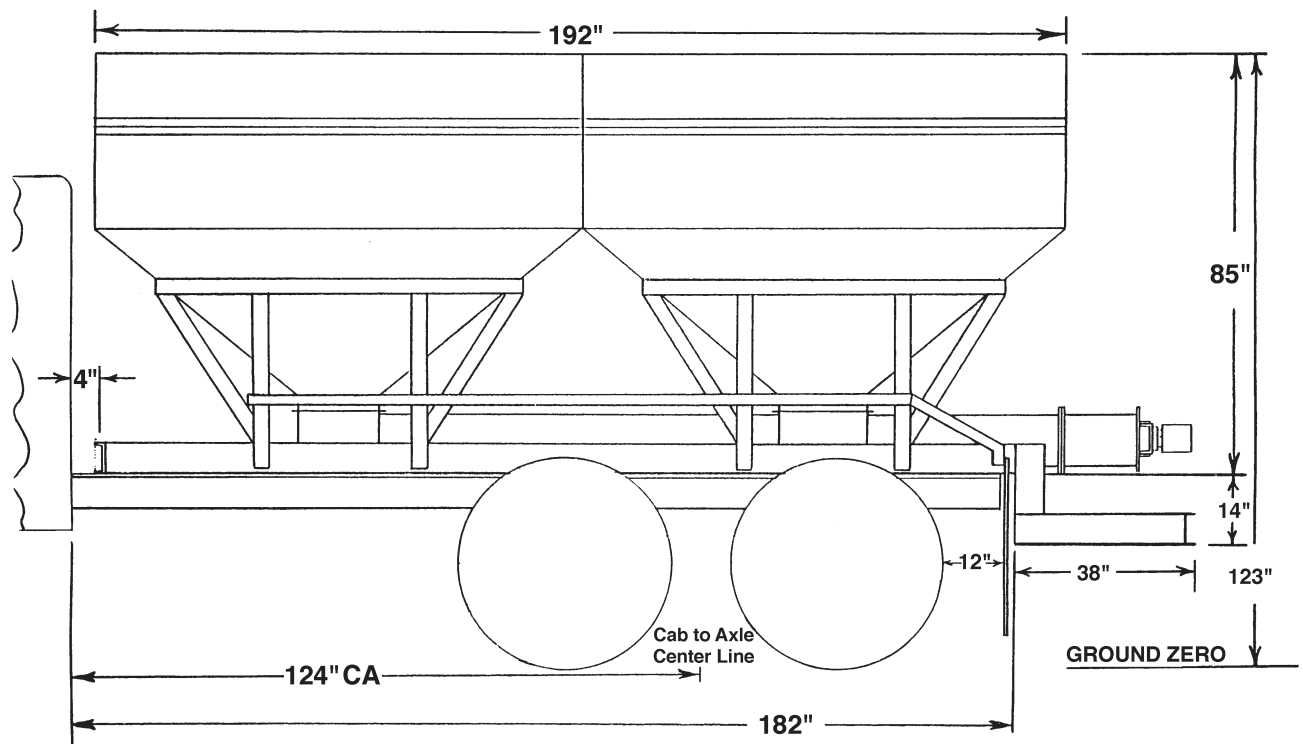
QUALITY TENDERS AND SPREADERS

HANDLER EQUIPMENT CO.

Gainesville, Georgia 30503 • (770) 536-8891

Toll Free 800-243-3319 • Fax (770) 535-1265

web: applied.net/chandler



Based on truck frame height of 36 inches.

CAPACITIES

- Hopper capacity (water level) 516 Cubic Ft. (14.61 Cubic Meters)
- Payload (water level) 33540 Lbs. (15213 Kilograms)
- Hopper capacity (heaped tarped) 580 Cubic Ft. (1642 Cubic Meters)
- Payload (heaped, tarped @ 65# material) 37700 Lbs. (17100 Kilograms)

HOPPER DIMENSIONS

- Hopper length 16 Ft. (4.88 Meters)
- Hopper width 8 Ft. (2.44 Meters)
- Hopper height above truck frame 7 Ft. (2.13 Meters)

AUGER SPECS

- Tube size 10 in. (254 MM)
- Discharge capacity 3500 Lbs./Minute (15.88 Kilograms/Minute)
- Discharge height (maximum) 13 Ft. 3in. (4.04 Meters)
- Discharge height (minimum) 11 Ft. 7 in. (3.53 Meters)

STANDARD FEATURES

- Stainless gate slides
- Stainless gate sleeves and shafts
- Stainless gate fasteners
- Stainless transition box
- Stainless hopper boot
- Stainless hanger shaft
- Stainless hanger pipes
- Rear mounted ladder
- Catwalks
- Auger clean-out door
- Tarp support
- Four compartments

OPTIONAL FEATURES

- Stainless hopper and compartment bulkhead.
- Stainless gussets and catwalks.
- Stainless auger tube.
- Stainless flighting mounted on stainless pipe.
- Additional ladder at front.
- Hydraulic drive.
- Shur Loc Roll tarp.
- Rear discharge "Pit Dump" attachment on bottom auger.
- Shur Loc Roll Tarp.
- Catwalk on top of hoppers.



QUALITY TENDERS AND SPREADERS
HANDLER EQUIPMENT CO.

Gainesville, Georgia 30503 • (770) 536-8891
 Toll Free 800-243-3319 • Fax (770) 535-1265
 web: applied.net/chandler